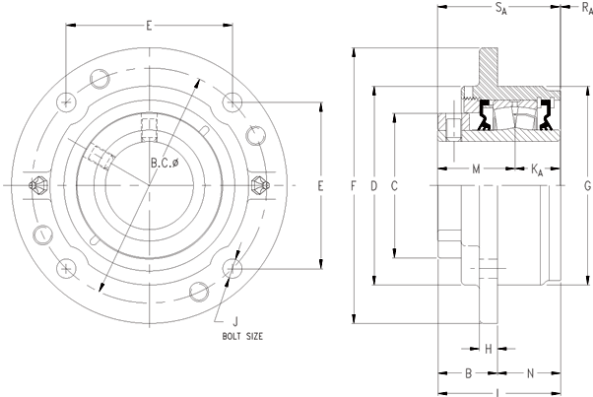




ACW BEARING EXPORTED LTD



timken QACW20A400S Solid Block/Spherical Roller Bearing Housed Units-Single Concentric Piloted Flange Cartridge

Bearing No. QACW20A400S

QACW20A400S Bearing 2D drawings and 3D CAD models

| | |
|-------------------------|--------------------------|
| Engineering Group | Mounted Bearing |
| Shaft Size | 4 in |
| Shaft Size Type | Imperial |
| Full Timken Part Number | QACW20A400SB |
| Locking Style | Single Concentric |
| Weight | 43 lb |
| Housing Style | Piloted Flange Cartridge |
| UPC Code | 0883450037709 |
| Dimension BC | 9.38 in |
| Dimension C | 6.0000 in |
| Dimension E | 6.63 in |
| Dimension B Fix | 2.58 in |
| Dimension B Exp | 2.66 in |
| Dimension F | 10.88 in |
| Dimension D | 8.13 in |
| Dimension H | 1.00 in |
| Dimension J (Bolt Size) | 0.75 in |
| Dimension M | 2.97 in |
| Dimension G | 8.125 in |
| Dimension KA | 1.63 in |
| Dimension L Exp | 4.94 in |
| Dimension L Fix | 4.86 in |
| Dimension N | 2.28 in |
| Dimension RA | 0.27 in |
| Dimension SA | 4.59 in |



ACW BEARING EXPORTED LTD

| | |
|-------------------------------------|-----------|
| C0 - Static Load | 113000 lb |
| C - Dynamic Load (Basic) | 97700 lb |
| e - Geometry Factor | 0.24 |
| Y1 - Geometry Factor | 2.85 |
| Y2 - Geometry Factor | 4.24 |
| Oil Lubrication - M/N Seal | 1200 rpm |
| Oil Lubrication - T Seal | 2000 rpm |
| Oil Lubrication - B/C/O Seal | 900 rpm |
| Grease Lubrication - M/N Seal | 1200 rpm |
| Grease Lubrication - T Seal | 1600 rpm |
| Grease Lubrication - B/C/O Seal | 900 rpm |
| Float | 0.083 in |
| Shaft Tolerance | 0.0030 in |
| Eng Internal Radial Clearance - Min | 0.0030 |
| Eng Internal Radial Clearance - Max | 0.0047 |
| Pre Install Clearance Min | 0.0030 in |
| Pre Install Clearance Max | 0.0047 in |